



T&S BRASS AND BRONZE WORKS, INC.

2 Saddleback Cove / P.O. Box 1088
Travelers Rest, SC 29690

Model No.

B-2741

Item No.

Travelers Rest, SC: 800-476-4103 • Simi Valley, CA: 800-423-0150 • Fax: 864-834-3518 • www.tsbrass.com



ADA Compliant

This Space for Architect/Engineer Approval

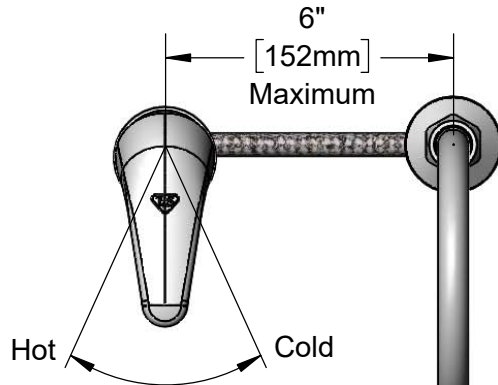
Job Name _____ Date _____

Model Specified _____ Quantity _____

Customer/Wholesaler _____

Contractor _____

Architect/Engineer _____



5 3/4" Swivel
Gooseneck w/
B-0199-06
VR 2.2 GPM Aerator.
Rigid Conversion Requires
014200-45 Lock Washer
(Included)

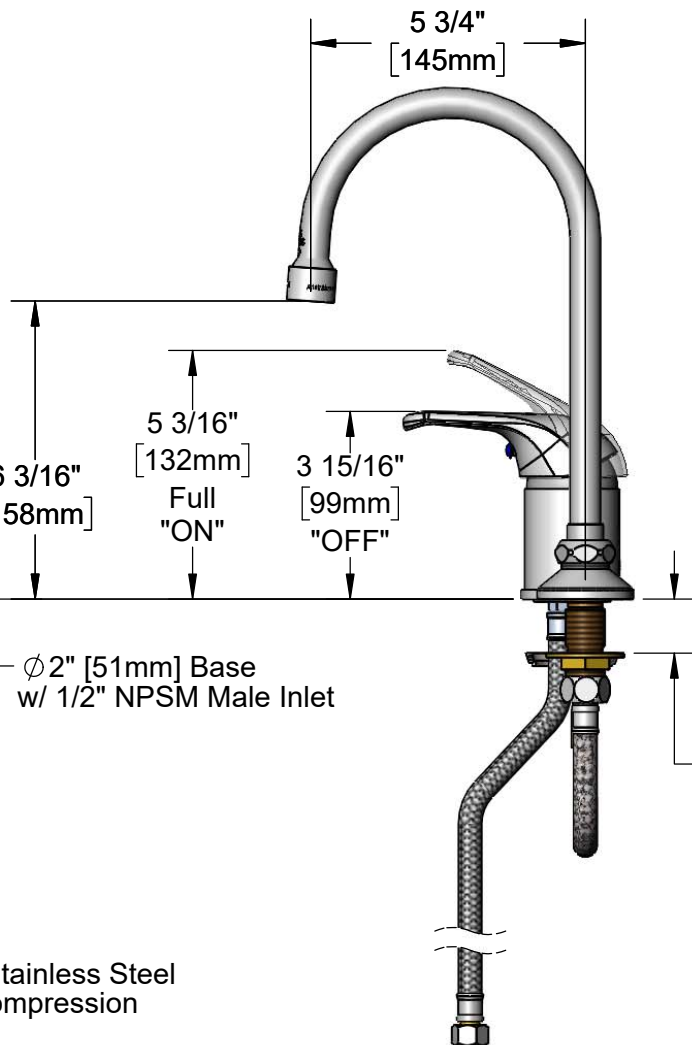
Ceramic Cartridge w/
Temperature Limit Stop

Temperature
Index

Ø 2 1/8"
[54mm] Base

Brass Lock
Nut &
Threaded
Locking Rod

(2) 16" Flexible Stainless Steel
Hoses w/ 3/8" Compression
Swivel Ends



Ø 2" [51mm] Base
w/ 1/2" NPSM Male Inlet

1 1/8"
[29mm]
Maximum
Thickness

Rough-in Requirement:
Swivel Deck Flange: Ø 1" [25mm] Hole
Sidemount: Ø 1 1/2" [38mm] Hole

Product Specifications:

Single Lever Side Mount Remote On/Off Control Base Faucet, Ceramic Cartridge, Temperature Limit Stop, Swivel Gooseneck, Vandal Resistant 2.2 GPM Aerator & (2) 16" Flexible Stainless Steel Supply Hoses

Product Compliance:

ASME A112.18.1 / CSA B125.1
NSF 61 - Section 9
NSF 372 (Low Lead Content)
ANSI A117.1 (ADA)

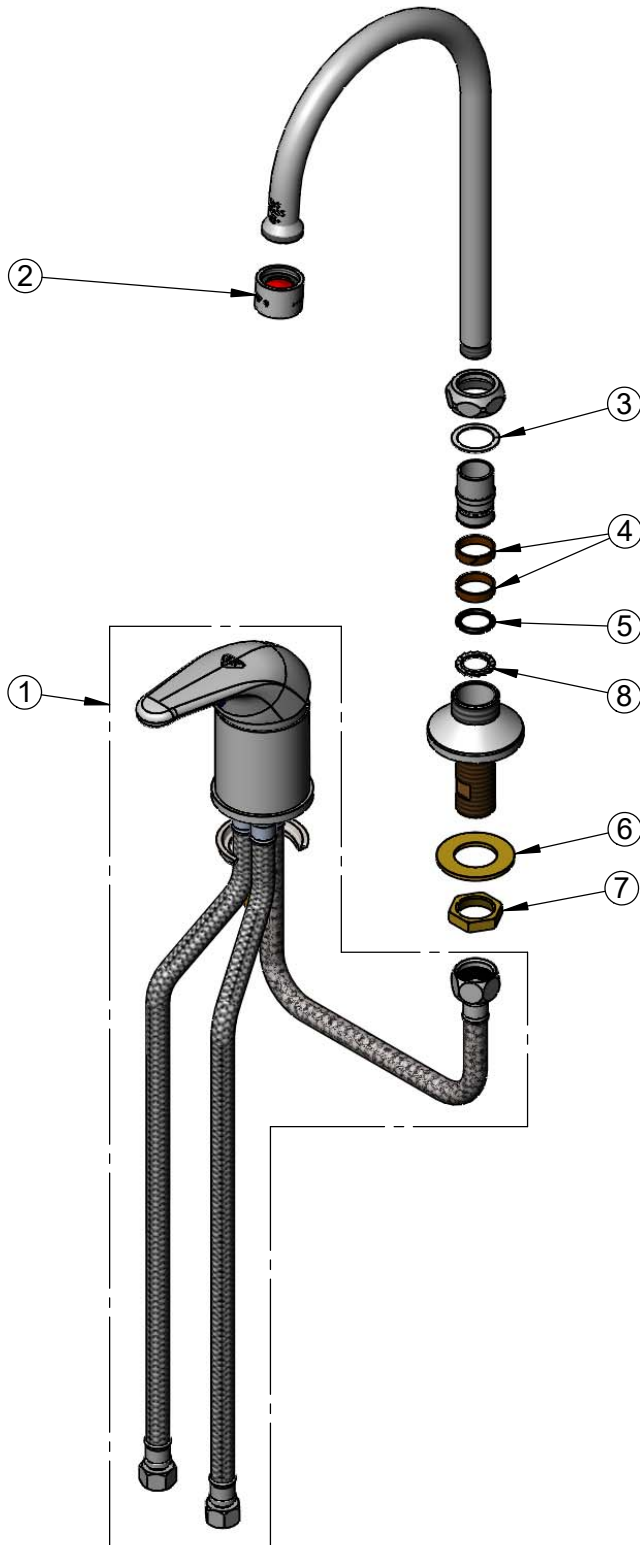


T&S BRASS AND BRONZE WORKS, INC.
 2 Saddleback Cove / P.O. Box 1088
 Travelers Rest, SC 29690

Model No.
B-2741

Item No.

Travelers Rest, SC: 800-476-4103 • Simi Valley, CA: 800-423-0150 • Fax: 864-834-3518 • www.tsbrass.com



ITEM NO.	SALES NO.	DESCRIPTION
1	B-2740	Side Mount Single Lever Control Faucet
2	B-0199-06	VR 2.2 GPM Aerator, 55/64-27 UN Female w/ Key
3	009538-45	Swivel Washer
4	011429-45	Swivel Sleeves (2)
5	001074-45	O-Ring
6	000999-45	Brass Lock Washer
7	002954-45	Shank Lock Nut
8	014200-45	Star Washer, Anti-Rotation



Product Specifications:
 Single Lever Side Mount Remote On/Off Control Base Faucet, Ceramic Cartridge, Temperature Limit Stop, Swivel Gooseneck, Vandal Resistant 2.2 GPM Aerator & (2) 16" Flexible Stainless Steel Supply Hoses

Product Compliance:
 ASME A112.18.1 / CSA B125.1
 NSF 61 - Section 9
 NSF 372 (Low Lead Content)
 ANSI A117.1 (ADA)